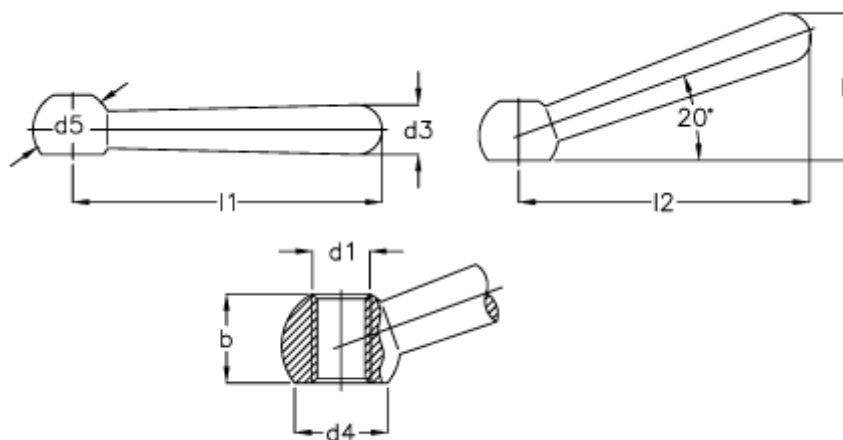


Article number: 20411465

Description: E+G Clamping lever
DIN 99-50-M 6-M

Measures



B = 9.5

d1 = M 6

d3 = 8

d4 = 11.0

d5 = 12

h = 24.0

l1 = 50

l2 = 48